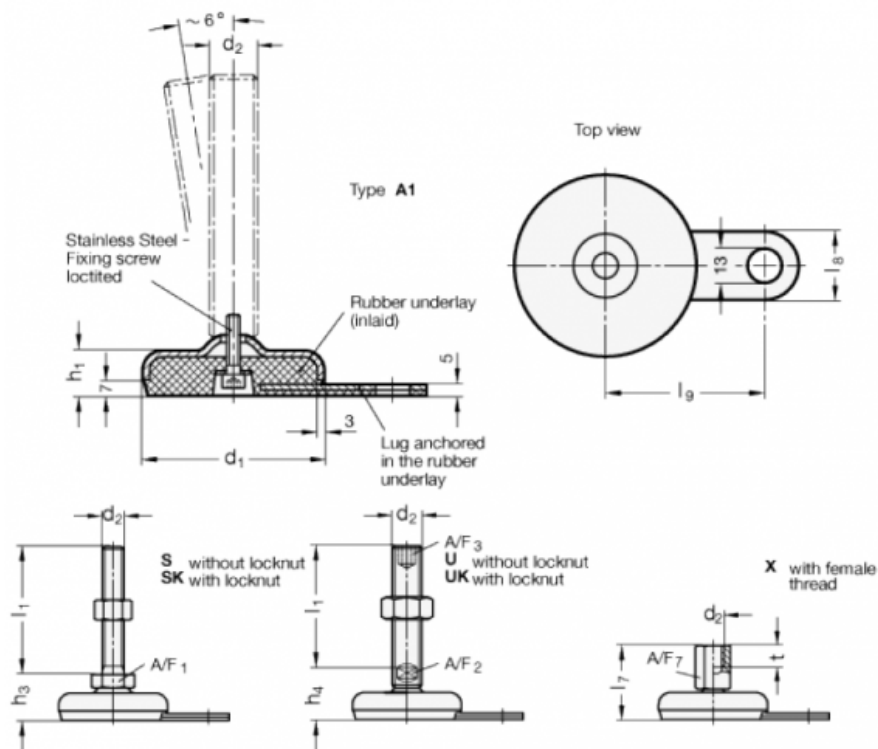


Article number: 2032100M16200A1U

Description: E+G levelling foot
GN 32-100-M16-200-A1-U

Note: U Without nut, Hexagon socket at the top, Wrench flat at the bottom

Measures



$$A/F2 = 12$$

$$l9 = 80$$

$$A/F3 = 8$$

$$d1 = 100$$

$$d2 = M16$$

$$h1 = 21$$

$$h4 = 35$$

$$l1 = 200$$

$$l8 = 30$$